



**IN USA, Inc.**  
100 Morse Street • Norwood, MA 02062 • USA  
Tel: 800-798-4029 • 781-444-2929 • Fax: 781-444-9229  
www.inusacorp.com

**Model  
IN-2000 L2-LC**

## **AMBIENT / SAFETY OZONE ANALYZER**



**NEMA Wall Mount**

**Rack Mount / Bench Top**

The Model **IN-2000-L2-LC** utilizes UV absorption technology to continuously measure low concentrations of ozone in the gas phase. With its advanced electronics design, the Model **IN-2000-L2-LC** delivers highly accurate and stable readings in PPMv units traceable to US NIST standards. Sample temperature and pressure compensation features are available as an option. The **IN-2000-L2-LC analyzer** is typically deployed in areas around ozone generators, contact chambers, ozone destruct units, gas delivery systems, and semiconductor tools.

### **Applications:**

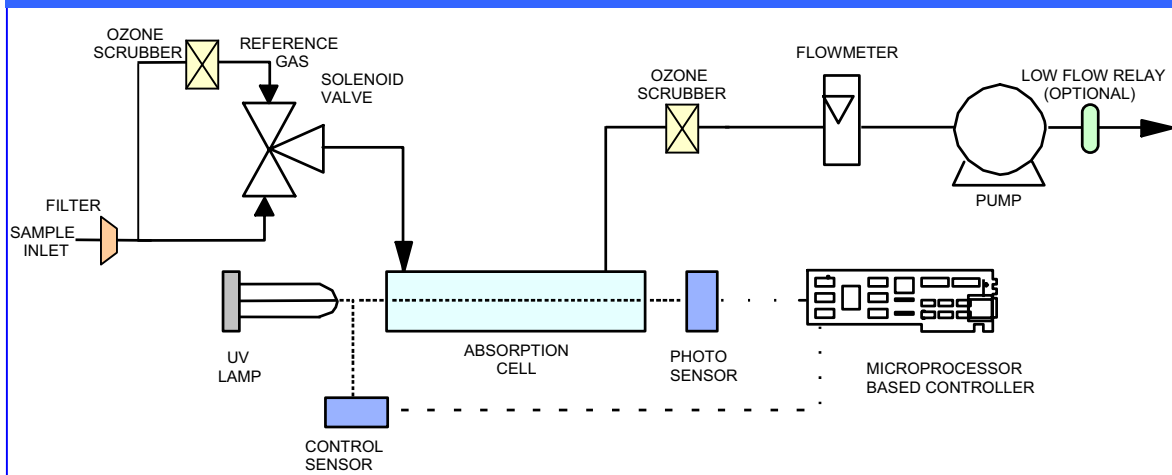
- Ozone leak detection for workplace safety / OSHA compliance
- Ozone levels in vent Gas (post destruct)
- Ozone levels in wet gas streams with a sample conditioning system SC010R
- Ozone in research applications
- Ozone in food applications

### **Features:**

- UV Absorption technique
- Highly stable optical system
- Microprocessor based technology  
field programmable alarms
- No consumables
- Reliable, repeatable and accurate

# Specifications **IN-2000 L2-LC**

**Principle of Operation:** The controller calculates the attenuation ratio of Ultra Violet light on the Photo sensor between a Ozone free reference gas and the sample gas . The Ozone concentration is directly related to the amount of UV light absorbed in the sample cell at a specific wavelength.



**Sensor:** Model IN2000 L2-LC Single channel ozone analyzer

**Measuring Principle:** UV absorption with automatic zeroing

**Measuring Range:** 0-1, 0-10, 0-10,000 PPMv; other customizable ranges available

**Resolution:**  
0.001 ppm (range 0-1 or 0-10)  
0.01 ppm (range 0-100)  
0.1 ppm (range 0-1,000)  
1 ppm (range 0-10,000)

**Linearity:** Better than 99% throughout range

**Calibration Standard:** Traceable to US NIST

**Zero Drift:** None, digitally autozeroed

**Standard Alarms:** Two field programmable alarms with form C relay contacts (SPDT, 5A 250 VAC resistive)

**Diagnostic Features:** Continuous internal diagnostics with error messages and one instrument error relay

**Optional:** Pressure and temperature compensation  
Low flow relay  
RS-422  
Isolated 4-20 mA  
Sample Conditioning system SC010R  
Handle top for NEMA cabinet portability

**Readout:** 2x20 character, alpha-numeric, Backlit LCD

**Analog Outputs:** 4-20 mA and 0-10 VDC standard

**Digital Outputs:** RS-232 interface

**Supply Voltage:** 100-240 VAC 50/60 Hz

**Sample Flow Rate:** 1.0 LPM. Built-in Pump and throttling valve

**Connections:** 1/4 " Swage fittings; others available

**Configurations:** NEMA4X IP65 Wall Mount;  
19" Rack Mount/Benchtop

**Digital I/O** RS-232C, bidirectional  
1200 to 19000 Baud

**Diagnostics:** Internal diagnostics, instrument error relay

**Accessory Included** Inline or Aerosol teflon gas filter

**Dimensions:** NEMA-4X Weatherproof:  
15.6(H) x 14.4(W) x 6.7(D) inches  
(396.9 x 365.1 x 169.9mm.)  
Rack Mount:  
5.25(H) x 19.00(W) x 18.18(D) inches  
(133.3 x 482.6 x 461.8 mm.)

**Environmental Operating Conditions:** 5-45°C; 0-95% RH non-condensing

## Ozone instrumentation for every application

|                  | Generator Output | Safety/Leak Detection | Tool Leak Detection | Stack & Environmental | Dissolved Ozone | Spot Checking |
|------------------|------------------|-----------------------|---------------------|-----------------------|-----------------|---------------|
| Model dFFOZ      |                  |                       |                     |                       | •               |               |
| Model gFFOZ      | •                |                       |                     |                       |                 |               |
| Model Mini-HiCon | •                |                       |                     |                       |                 |               |
| Model L2RM       |                  |                       | •                   | •                     |                 |               |
| Model IN-2000    |                  | •                     | •                   | •                     |                 |               |
| Model AET-030    |                  | •                     |                     | •                     |                 | •             |
| Model dFFOZ-W    |                  |                       |                     |                       | •               |               |



IN USA, Inc. • 100 Morse Street, Norwood, MA 02062 • USA  
1-800-798-4029 • Tel: 781-444-2929 • Fax: 781-444-9229 • Website: [www.inusacorp.com](http://www.inusacorp.com)

© 2007 IN USA, INC.- ALL RIGHTS RESERVED, COMPANY CONFIDENTIAL - DO NOT REPRODUCE

Rev. 9325-P